

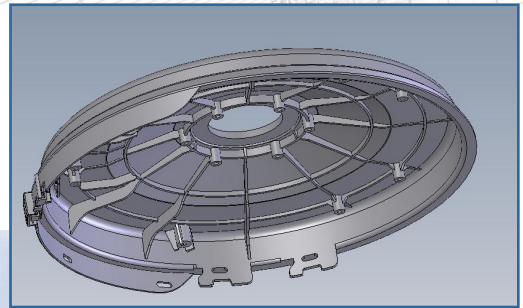
SIGMA DESIGN COMPANY

Turning Smart Ideas into Product Solutions

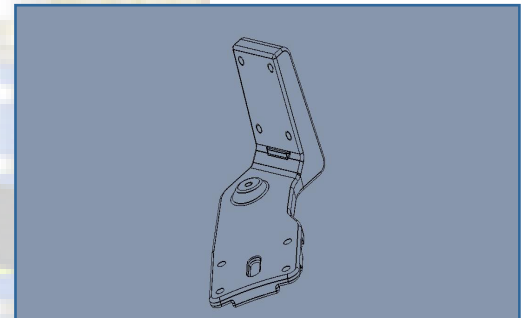
REVERSE ENGINEERING

Reverse Engineering for
New Product Development

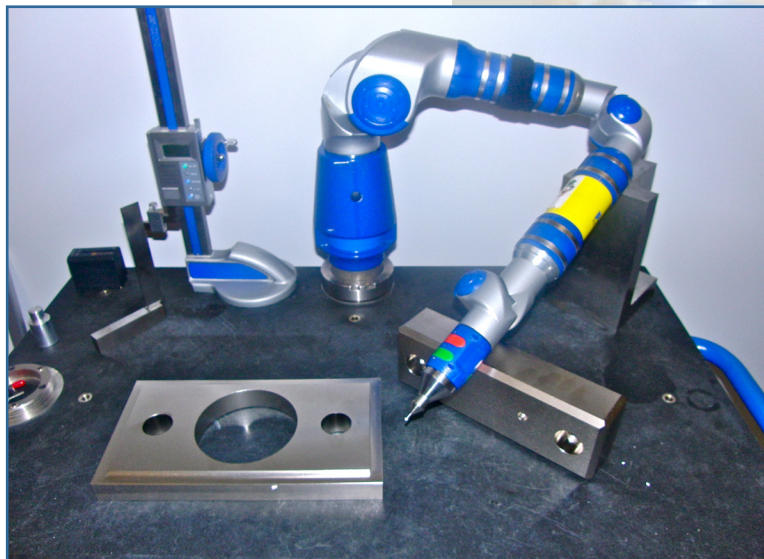
Sigma Design uses in-house gage inspection techniques using 3D Scanning and FARO Technology to verify manufactured parts for products we design, as well as for reverse engineering of components supplied by our clients.



Polypro Cover



Cast Iron Suspension Arm



FARO Arm used for Reverse Engineering

Reverse engineering is a viable method to create 3D manufacturing models from existing parts and system components. The process involves disassembly, inspection, measuring a component, and reconstructing it as a 3D Cad model. Once captured, the part can be manufactured anywhere to specified tolerances and materials.



200 POND AVENUE, MIDDLESEX NJ 08846

(732)-629-7555 (P) // (732)-629-7556 (F) www.sigmadesign.net