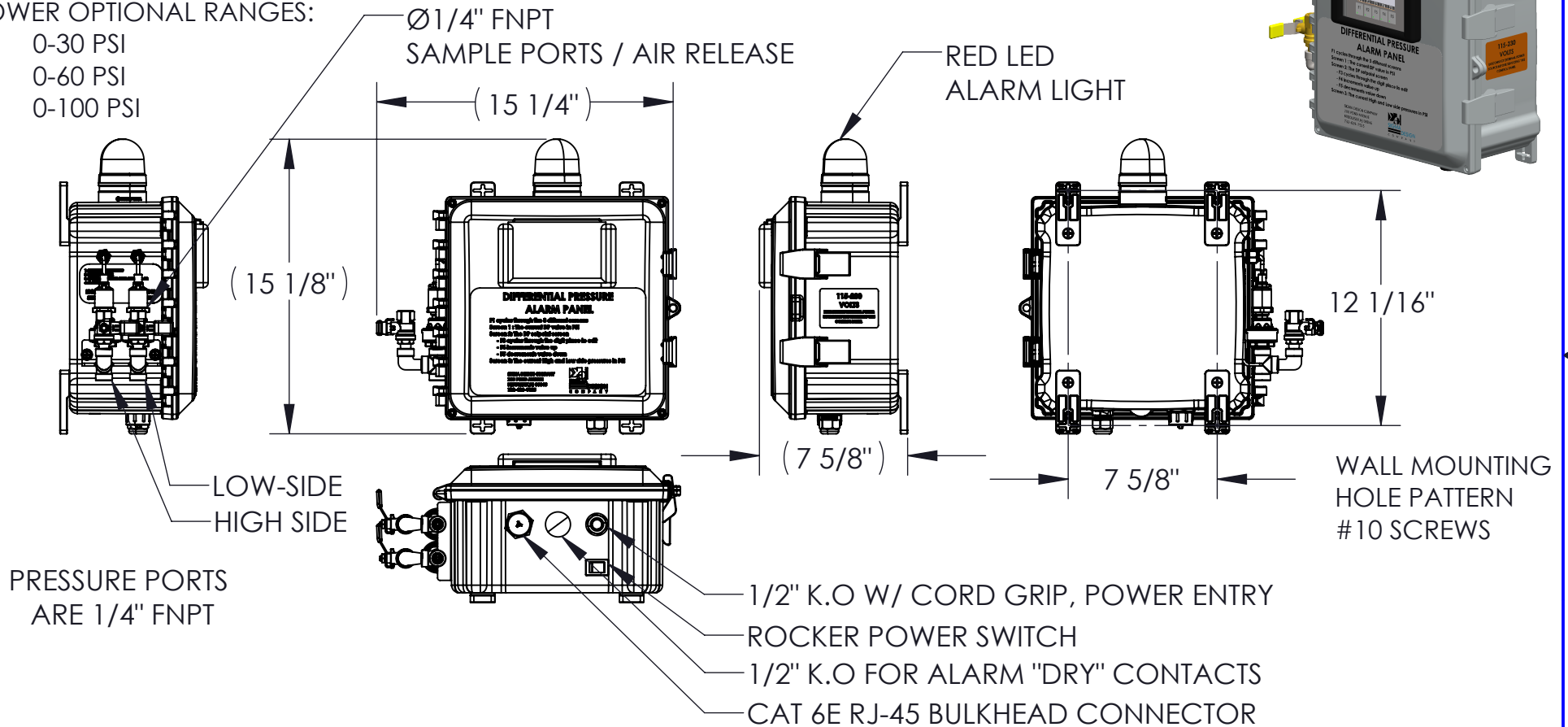


POWER ENTRY: 115-230 VAC, Ø1
 DRY CONTACT: 250 VAC, 6A MAX.
 ETHERNET/IP TAGS FOR READING PROCESS PARAMETERS
 ENCLOSURE: NEMA/ TYPE 4X
 PROCESS PARAMETERS: 0-200 PSI STANDARD RANGE
 SYSTEM ACCURACY IS .5% OF FULL SCALE RANGE
 +/- 1PSI FOR 200 PSI STANARD RANGE TRANSDUCER
 LOWER OPTIONAL RANGES:

- 0-30 PSI
- 0-60 PSI
- 0-100 PSI

REVISIONS				
REV.	DATE	DESCRIPTION	CHG BY	APP'D BY
A	9/13/2023	RELEASED FOR MANUFACTURING	KB	GJL



Professional Engineers & Designers
 200 POND AVENUE
 MIDDLESEX, NEW JERSEY 08846
 (732) 629-7555, info@sigmadesign.net

DRAWN BY MC	1/13/2023	TITLE DIFFERENTIAL PRESSURE ALARM PANEL	
CHECKED BY KB	1/13/2023	MODEL CONFIGURATION DPAP-200-X	
APPROVED BY GJL	1/13/2023	SCALE 1:8	REVISION A
CAD FILE: 4570-1000.A-SD.SLDDRW		WEIGHT 9.30 LBS	SHEET 1 OF 1

PRODUCT SPECIFICATION DRAWING